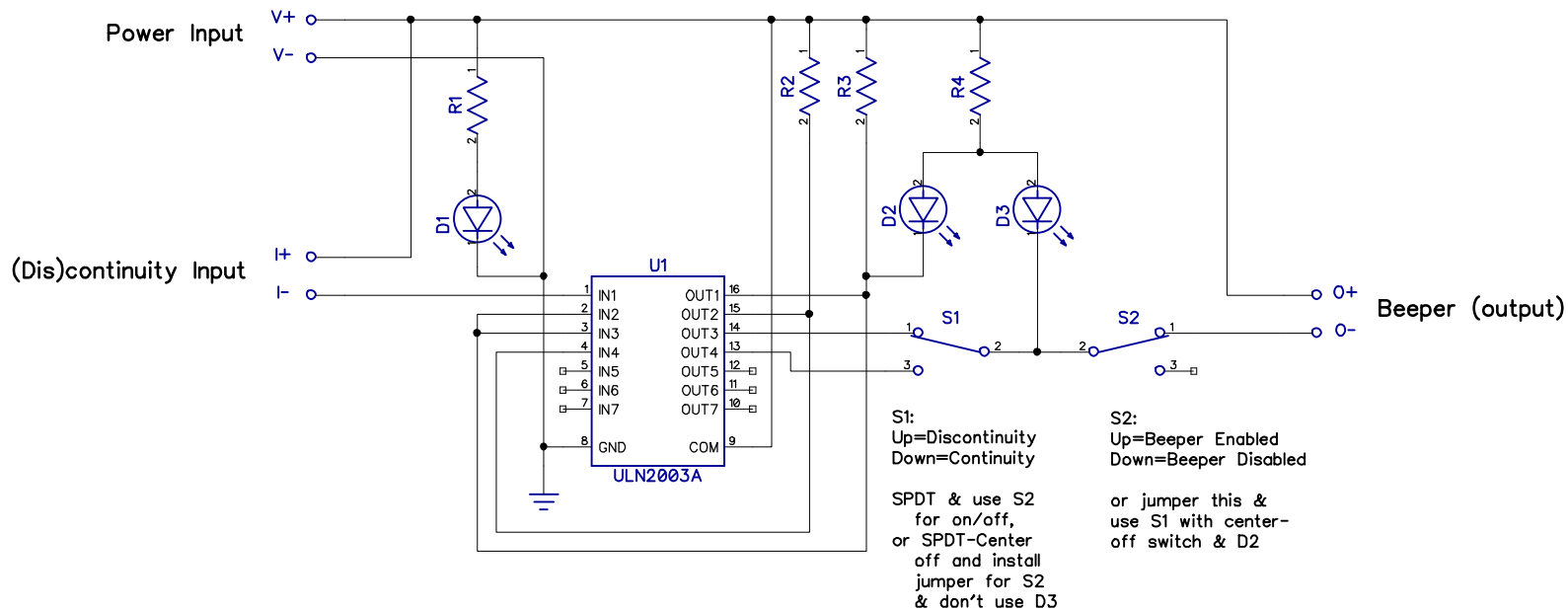


Discontinuity/Continuity Tester

LED and Beeper Output are On for Discontinuity (with S1 up) or Continuity (with S2 down).

by MCP, 2018-12-12



INPUT (+,-)	IN1	OUT1, IN2,3	OUT2,3, IN4	OUT4	D2
Continuity	High	Low	High	Low	On
Discontinuity	Low	High	Low	High	Off